

E1S-7 Series Single Phase RFI Filters 200-250Vac, 48-62Hz

PROVISIONAL

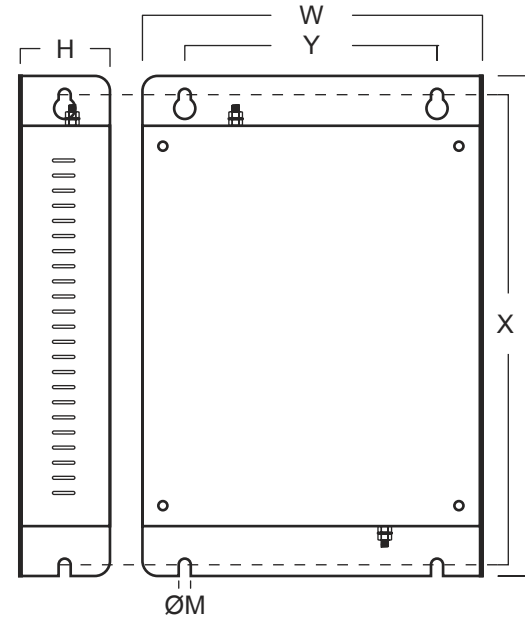
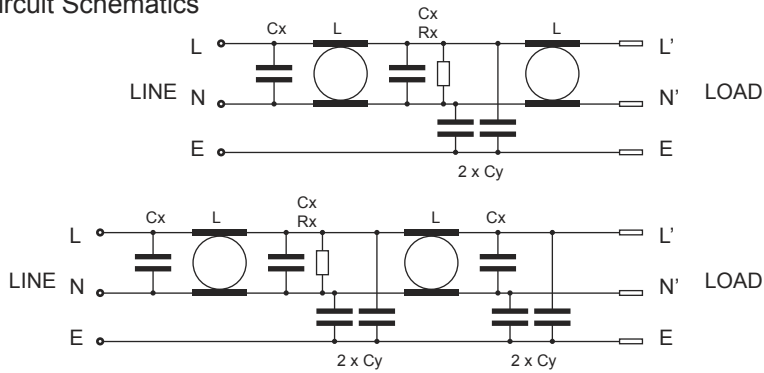
RFI Footprint filters for use with Fuji Electric FRENIC-MULTI series inverters in applications up to 2.2kW.

All filters are constructed with self-healing interference-suppression capacitors approved to EN60384-14 and UL1283.

Input connections by shrouded-type terminals, output by flexes.

All units carry the CE mark.

Circuit Schematics



FRENIC-MULTI Inverter	Filter part no.	Rated Current @ 50°C (A)	Leakage Current @ 250Vac 50Hz (mA)	Terminals (mm ²)	Earth Stud	Case Dimensions (mm)			Filter Mounting (mm)			Inverter Mounting (mm)			
						L	W	H	X	Y	M	mX	mY	M	
FRN0.1E1S-7A															
FRN0.2E1S-7A															
FRN0.4E1S-7A	RF 1010-C1S	10	3.5	0-6	M5	170	86	37	155	60	M4	110	67	M4	
FRN0.75E1S-7A															
FRN1.5E1S-7A	RF 1017-C1S	17	3.5	0-6	M5	180	115	46	165	89	M4	118	96	M4	
FRN2.2E1S-7A	RF 1025-C1S	25	3.5	0-10	M5	230	148	46	216	118	M4	168	128	M4	