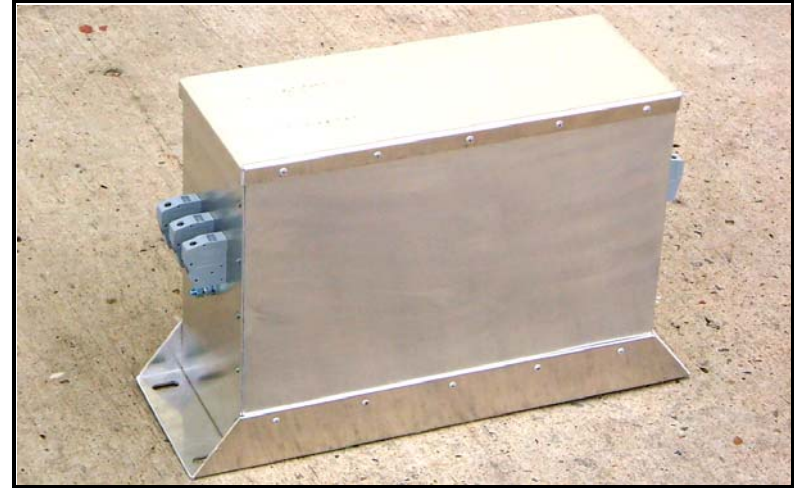


RF XXXX-HPH Series

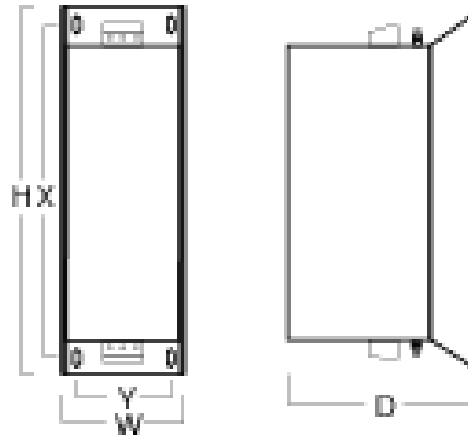
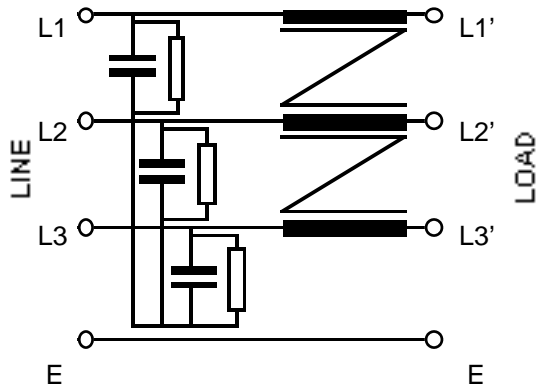
High Performance Harmonic Filters

200-250Vac, 48-62Hz
380-480Vac, 48-62Hz

Harmonic Chokes for industrial applications up to 75A.
Reduces harmonic content of system input current with significant energy saving.
Input and output connections by shrouded terminals.
All units are manufactured to EN133200 specifications and carry the CE mark.



Circuit Schematic



Filter part no.	Rated Current @ 40°C (A)	Shrouded Terminals (mm ²)	Inductance L (mH)	Case Dimensions H x W x D (mm)	Mounting X x Y x M (mm)	Weight (kg)
RF 1010-HPH	10	0-6	6.5	216 x 75 x 140	185 x 50 x M5	3
RF 1016-HPH	16	0-6	4.0	216 x 75 x 140	185 x 50 x M5	4
RF 3010-HPH	10	0-6	6.5	296 x 110 x 165	265 x 80 x M6	6
RF 3016-HPH	16	0-6	4.0	296 x 110 x 165	265 x 80 x M6	8
RF 3025-HPH	25	0-25	2.5	316 x 125 x 165	285 x 95 x M6	10
RF 3035-HPH	35	0-25	1.8	316 x 125 x 165	285 x 95 x M6	14
RF 3065-HPH	65	0-25	1.0	440 x 145 x 275	400 x 105 x M8	48
RF 3075-HPH	75	0-25	0.8	440 x 145 x 275	400 x 105 x M8	50