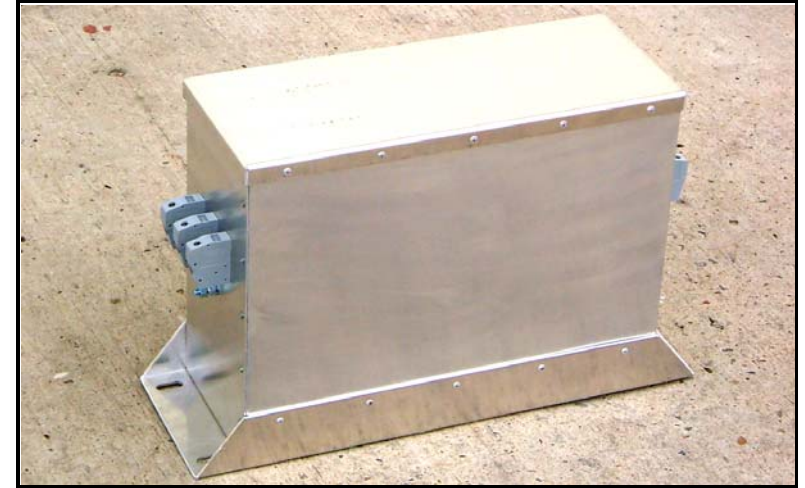
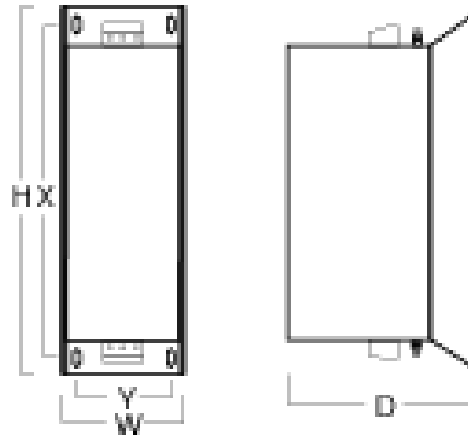
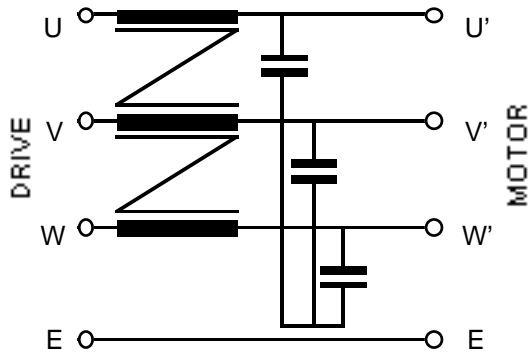


# RF 30XX-ROF Series Motor Output Filters

380-500Vac

Three-Phase Motor Output Sinus Filters for industrial applications up to 75A.  
Helps to prevent damage to three-phase motor winding insulation by significant reduction of dV/dt and voltage overshoot.  
Input and output connections by shrouded terminals.  
All units carry the CE mark.

Circuit Schematic



Filter part no.	Rated Current @ 40°C (A)	Shrouded Terminals (mm <sup>2</sup> )	Case Dimensions H x W x D (mm)	Mounting X x Y x M (mm)	Weight (kg)
RF 3005-ROF	5	0-6	255 x 50 x 126	239 x 25 x M5	2.3
RF 3010-ROF	10	0-6	296 x 110 x 165	265 x 80 x M6	6
RF 3016-ROF	16	0-6	296 x 110 x 165	265 x 80 x M6	8
RF 3025-ROF	25	0-25	316 x 125 x 165	285 x 95 x M6	10
RF 3035-ROF	35	0-25	316 x 125 x 165	285 x 95 x M6	14
RF 3055-ROF	55	0-25	440 x 145 x 275	400 x 105 x M8	46
RF 3065-ROF	65	0-25	440 x 145 x 275	400 x 105 x M8	48
RF 3075-ROF	75	0-25	440 x 145 x 275	400 x 105 x M8	50

RASMI ELECTRONICS LTD  
Tel: +44 (0) 1207 291300

Morrison Road, Annfield Plain, Stanley Co.Durham DH9 7RX  
Fax: +44 (0) 1207 291304 e-mail: sales@rasmi.com

**rasmi** Electronics Ltd rev.0.2